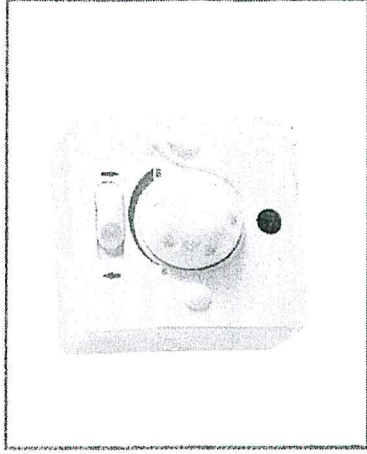




**Disposal**  
This product should not be disposed of with household waste. Please recycle where facilities exist. Check with your local authority for recycling advice.

# SAC3 Reversible Controller

Ceiling Fan Controller  
Installation and Wiring Instructions



Stock Ref. N°  
499301  
SAC3 Reversible Controller

## The **Vent-Axia** Guarantee

- Applicable only to products installed and used in the United Kingdom. For details of guarantee outside the United Kingdom contact your local supplier.
- Vent-Axia guarantees this product for 2 years from date of purchase against faulty material or workmanship. In the event of any part being found to be defective, the product will be repaired, or at the Company's option replaced, without charge, provided that the product:-
  - Has been installed and used in accordance with the instructions given with each unit.
  - Has not been connected to an unsuitable electricity supply. (The correct electricity supply voltage is shown on the product rating label attached to the unit).
  - Has not been modified or repaired by any person not authorised by the company.

**IF CLAIMING UNDER TERMS OF GUARANTEE**  
Please return the complete product, carriage paid to, to the company at the address below. The product must be accompanied by a letter clearly marked "Guarantee Claim" stating the nature of the fault and providing evidence of date and source of purchase.

The guarantee is offered to you as an extra benefit, and does not affect your legal rights

## Vent-Axia.

Head Office: Fleming Way, Crawley, West Sussex, RH10 9YX.

UK NATIONAL CALL CENTRE, Newton Road, Crawley, West Sussex, RH10 9JA  
SALES ENQUIRIES: Tel: 0344 856 0590 Fax: 01293 565169  
TECHNICAL SUPPORT: Tel: 0344 856 0594 Fax: 01293 532814

For details of the warranty and returns procedure please refer to [www.vent-axia.com](http://www.vent-axia.com) or write to Vent-Axia Group, Fleming Way, Crawley, RH10 9YX  
EU Authorised Representative: Vent-Axia Bedrijvenweg 17 7442 CX Nijverdal Nederland [authorisedrep@vent-axia.nl](mailto:authorisedrep@vent-axia.nl)

499297A

0522

220-240V~50Hz

# Vent-Axia®

CE UK CA

These instructions refer to the following controller:-

SAC 3 220-240V A.C 50Hz Maximum load for this controller is 200W

**IMPORTANT: READ THESE INSTRUCTIONS BEFORE COMMENCING INSTALLTION.**

DO NOT install this product in areas where the following may be present or occur.

- Excessive oil or grease laden atmosphere
- Corrosive or flammable gases, liquids or vapours.
- Ambient temperatures higher than 40°C or less than -5°C.
- Relative humidity above 95%

## SAFETY AND GUIDANCE NOTES

- All wiring must be in accordance with the current IEE Regulations, or the appropriate standards of your country.
- The control switch should be provided with a local double pole isolator switch having a contact separation of at least 3mm.
- Ensure that the mains supply (Voltage, Frequency and phase) complies with the rating label.
- The control switch should only be used in conjunction with the appropriate Vent-Axia product.
- It is recommended that the connection to the terminal box be made with flexible cable/conduit.
- This control switch should not be used where it is liable to be subject to direct water spray from hoses etc.
- This appliance can be used by children aged from 8 years and above and persons with reduced physical, sensory and mental capabilities or lack of experience and knowledge if they have been given supervision or instruction concerning the use of the appliance in a safe way and understand the hazards involved.
- Children shall not play with the appliance.
- Cleaning and user maintenance shall not be made by children without supervision.

## INSTALLATION

The controller is suitable for surface mounting only. Remove front cover and ensure back box is securely fixed to the wall in a well-ventilated area. Route supply and load cables through the "knock-out" holes provide if the controller is mounted on a conductive (metal) surface, that surface must be earthed.

## GENERAL WIRING

**WARNING:-** The control Equipment Must Be isolated from the power supply during installation and/or maintenance. The Equipment must be earthed.

Connect the power supply from the local isolator (via any appropriate controls if fitted) and the load supply to the back box via an appropriate cable gland. Refer to the wiring diagram. Ensure that all earth connections to the fan(s) have been made.

After completing and checking the connections to the controller replace the front cover ensuring that it is correctly seated in place. Ensure that all cable gland/grommet fixings and lid fixings are tightened correctly to prevent water ingress.

## OPERATION

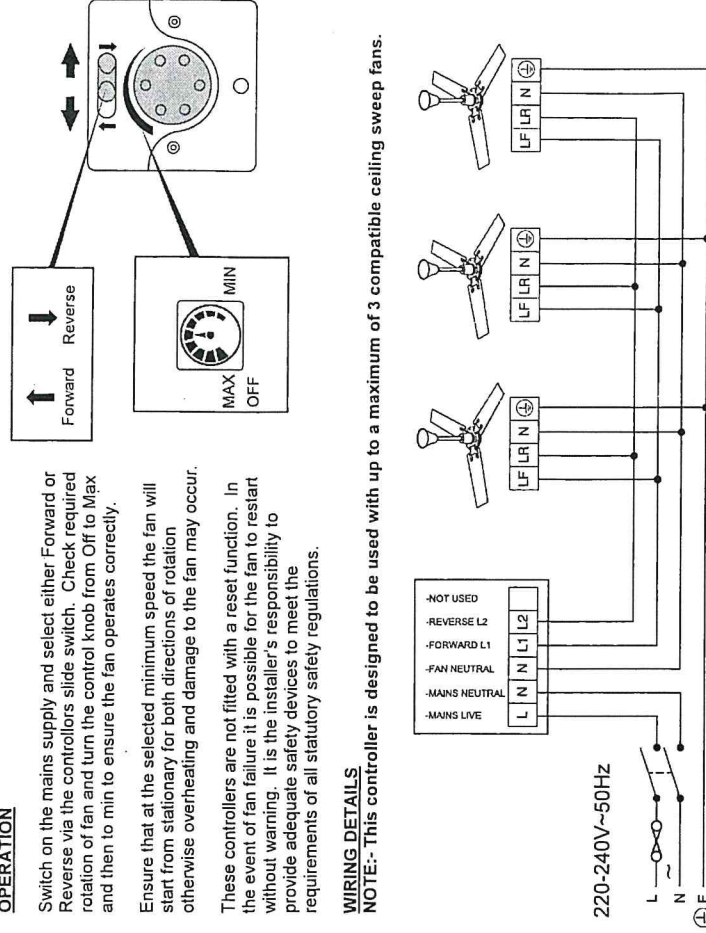
Switch on the mains supply and select either Forward or Reverse via the controllers slide switch. Check required rotation of fan and turn the control knob from Off to Max and then to min to ensure the fan operates correctly.

Ensure that at the selected minimum speed the fan will start from stationary for both directions of rotation otherwise overheating and damage to the fan may occur.

These controllers are not fitted with a reset function. In the event of fan failure it is possible for the fan to restart without warning. It is the installer's responsibility to provide adequate safety devices to meet the requirements of all statutory safety regulations.

## WIRING DETAILS

**NOTE:-** This controller is designed to be used with up to a maximum of 3 compatible ceiling sweep fans.



**THIS CONTROLLER IS FITTED WITH AN INTERNAL FUSE TO PROTECT CONTROLLER WIRING AND COMPONENTS. IT IS NOT DESIGNED TO PROVIDE MOTOR OVERLOAD PROTECTION, ADDITIONAL CONTROL EQUIPMENT IS NECESSARY FOR THIS FUNCTION**