

CVVX 315, Comb. unit, RAL9005

Luchttoevoer, luchtafvoer, DN 315mm

Itemnummer: [8499](#)

Variant: Standaard

The Combi-Grid is manufactured in black powder-coated galvanized sheet steel. Suitable for mounting on outside walls. The outside-air intake and exhaust-air are separated from each other so that the air cannot 'short circuit'.

Mounting

4 screws on the front facilitate mounting and removing for cleaning. The grid has a back plate which is first screwed and fitted to the wall. The grid can be mounted with the exhaust-air outlet either on the right or the left.



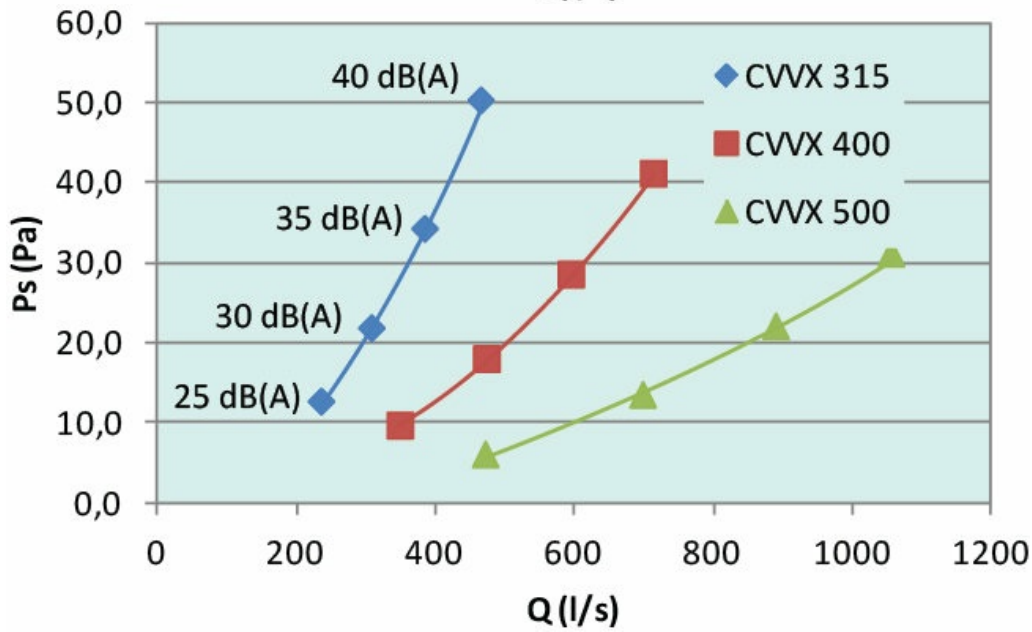
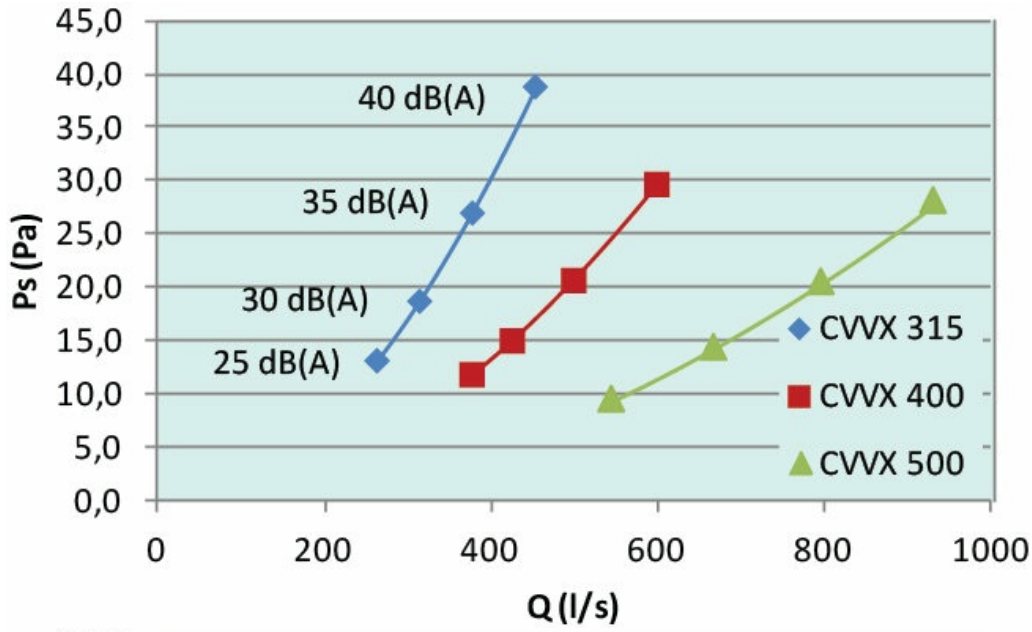
Technische parameters

Afmetingen en gewichten

Gewicht

11,3 kg

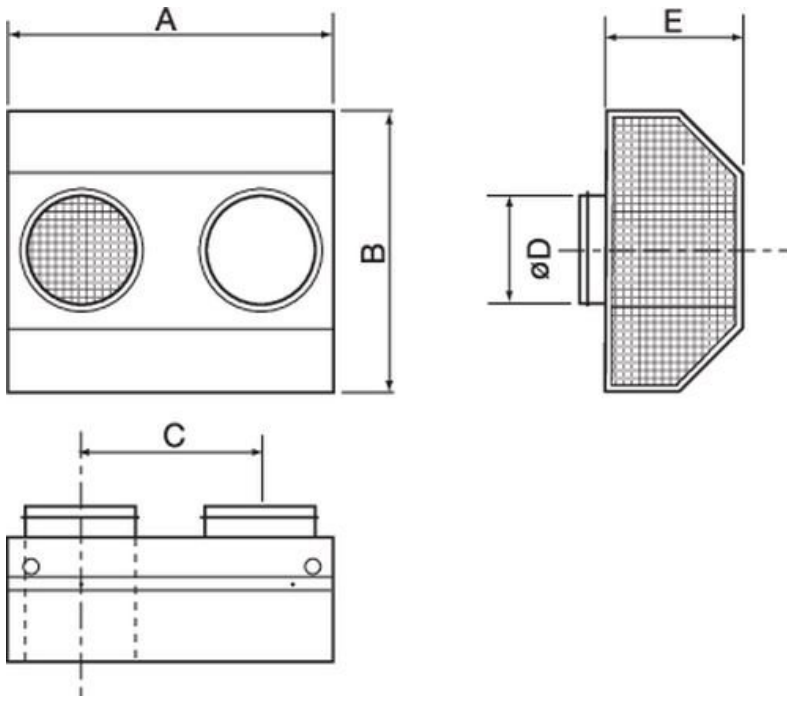
Prestaties



Outlet

Inlet

Afmeting



A	B	C	øD	E	
810	694	415	315	139	[mm]