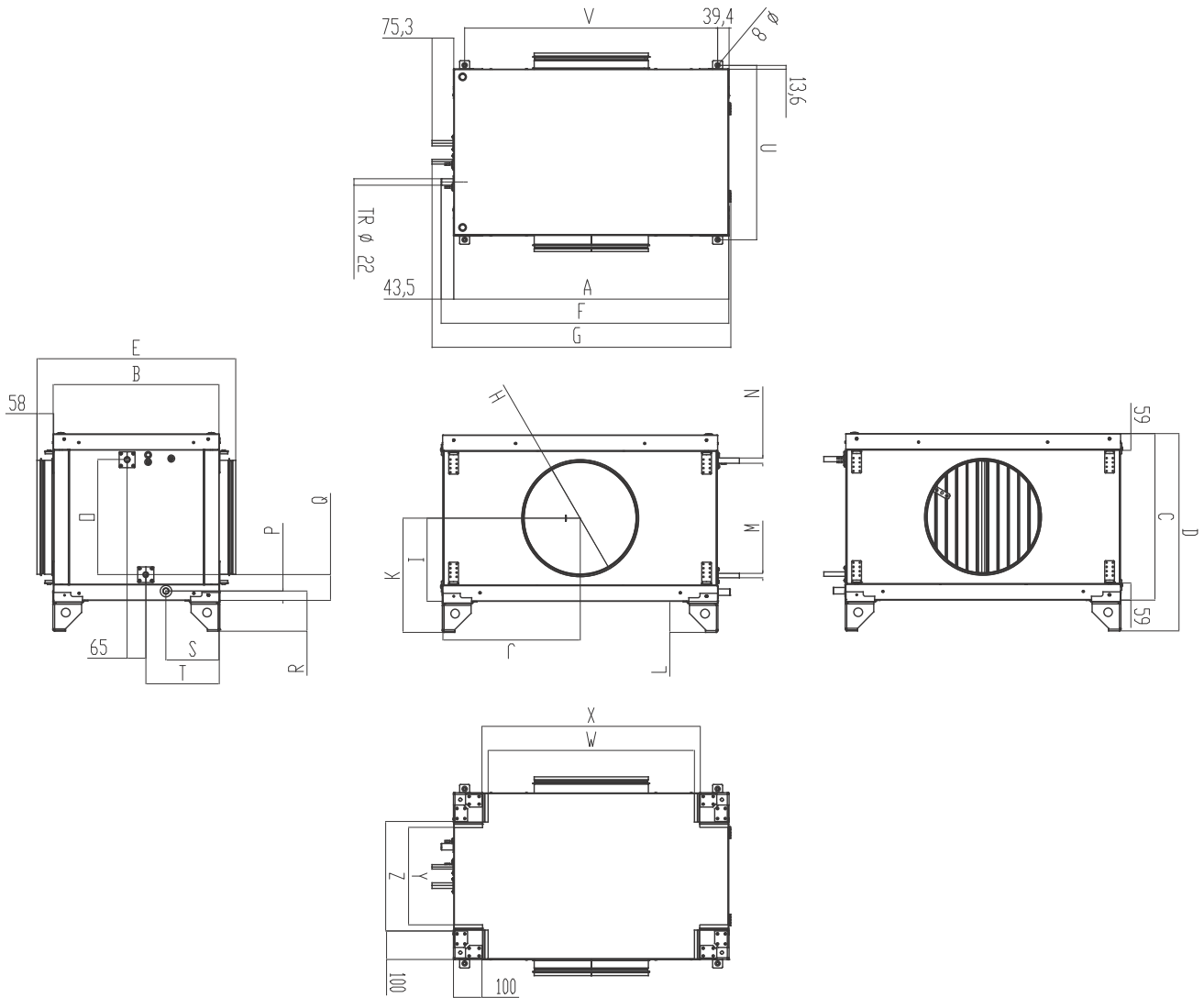


ALFA 85 070 - 250 external modules



Type	Dimensions																							
	A	B	C	D	E	F	G	H	I	J	K	L	O	P	Q	R	S	T	U	V	W	X	Y	Z
HR852-070 U/V	710	578	458	575	692	753,5	797	315	236,5	354	346	117	276	32,5	91	150	185	255,5	608	634	482	513	351	382
HR852-100	813	578	458	565	692	857,5	890	315	517,5	230	337	107,5	276	32,5	91	140	185	255,5	608	739	576	618	340	382
HR852-090/120	868	578	508	615	692	882,5	945	315	542,5	434	362	107,5	326	32,5	91	140	185	255,5	608	789	626	668	390	432
HR852-150/160/200	958	578	580	687,6	692	1002	1033	400	296	478	397,6	107,5	400,5	32,5	89,5	140	185	255,5	608	882	720	761	340	382
HR852-250	988	578	654,5	762,1	692	1032	1063	400	333,3	493	397,6	107,5	476	32,5	89,5	140	185	255,5	608	912	750	791	340	382

ALFA 85 070	M	N
water heater	G 1/2"	G 1/2"
heater/cooler (C/O)	G 3/4"	G 3/4"
direct evaporator (DX)	3/8"	1/2"

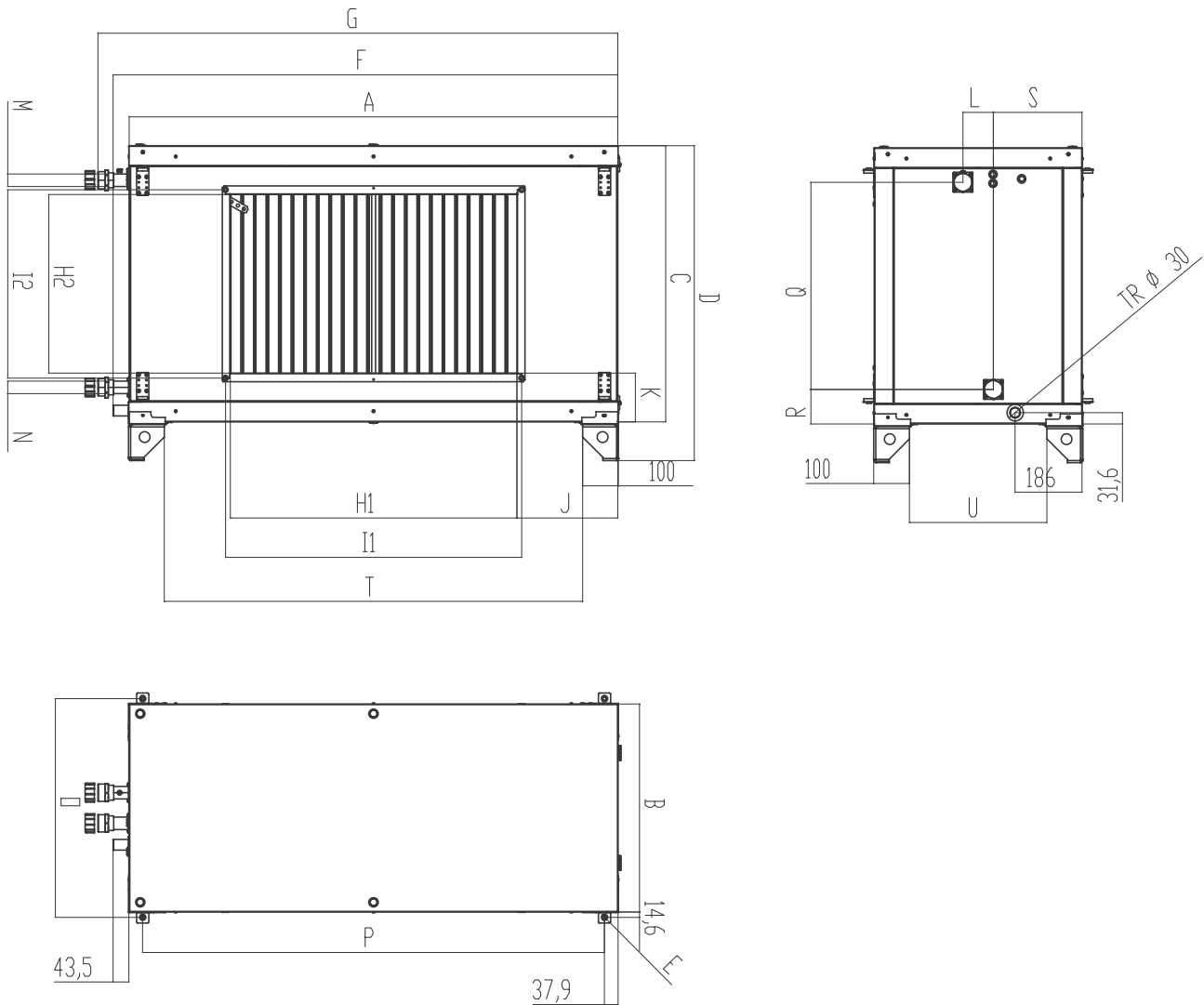
ALFA 85 100	M	N
heater/cooler (C/O)	G 3/4"	G 3/4"
direct evaporator (DX)	1/2"	5/8"

ALFA 85 090/120	M	N
heater/cooler (C/O)	G 3/4"	G 3/4"
direct evaporator (DX)	1/2"	5/8"

ALFA 85 150/160/200	M	N
heater/cooler (C/O)	G 1"	G 1"
direct evaporator (DX)	5/8"	3/4"

ALFA 85 250	M	N
heater/cooler (C/O)	G 1"	G 1"
direct evaporator (DX)	5/8"	7/8"

### ALFA 85 320 - 500 external modules



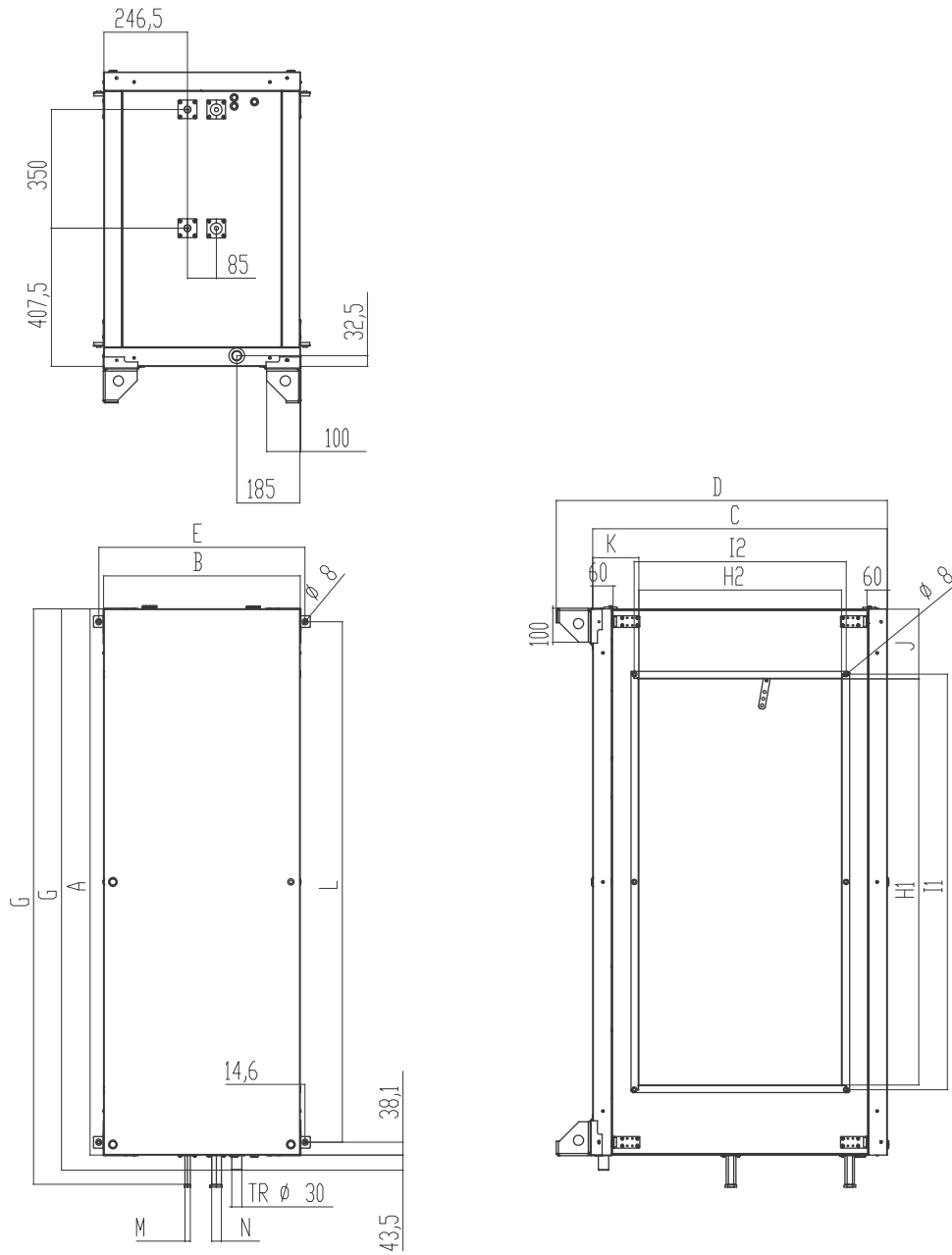
Type	Dimensions																				
	A	B	C	D	E	F	G	H1	H2	I1	I2	J	K	L	O	P	Q	R	S	T	U
HR852-320 U / V	1166	578	696	803,5	Ø8	1210,5	1255	600	500	624	524	285	100	65	608	1092	476	110,5	255,5	971	382
HR852-400 U / V	1258	578	718	825,5	Ø8	1302,5	1345	600	500	624	524	330	111	65	608	1184	526	96,0	255,5	1063	382
HR852-500 U / V	1358	578	768	875,5	Ø8	1402,5	1445	800	500	824	524	280	136	85	608	1284	576	96,0	246,5	1163	382

ALFA 85 320	M	N
heater/cooler (C/O)	G 1"	G 1"
direct evaporator (DX)	3/4"	7/8"

ALFA 85 500	M	N
heater/cooler (C/O)	G 1 1/2"	G 1 1/2"
direct evaporator (DX)	7/8"	1 1/8"

ALFA 85 400	M	N
heater/cooler (C/O)	G 1"	G 1"
direct evaporator (DX)	3/4"	7/8"

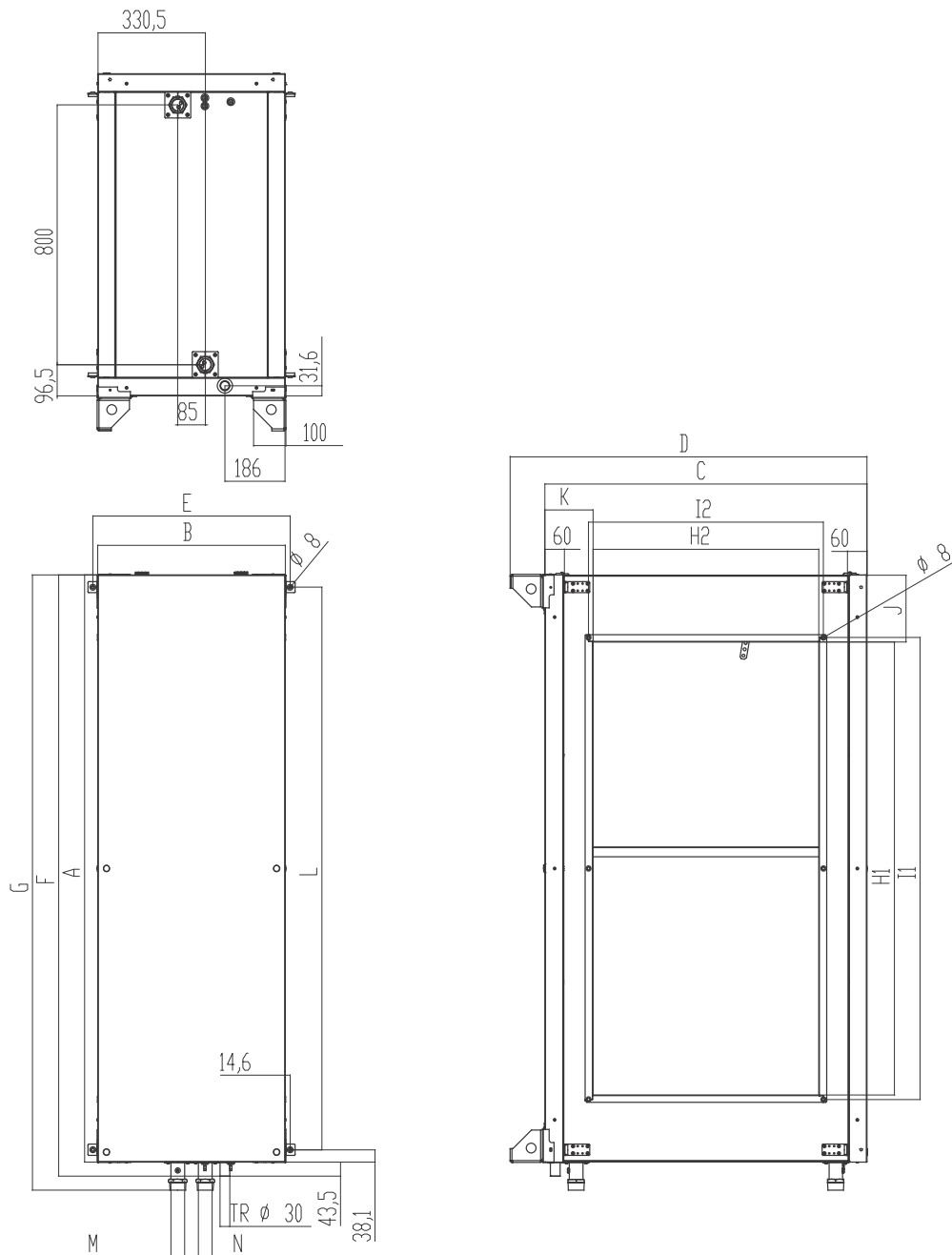
ALFA 85 700 external modules



Type	Dimensions													
	A	B	C	D	E	F	G	H1	H2	I1	I2	J	K	L
HR852-700	1610	578	868	975,5	608	1653,5	1700	1200	600	1224	624	206	136	1534

ALFA 85 700	M	N
heater/cooler (C/O)	G 1 1/2"	G 1 1/2"
direct evaporator (DX)	2 x 3/4"	2 x 7/8"

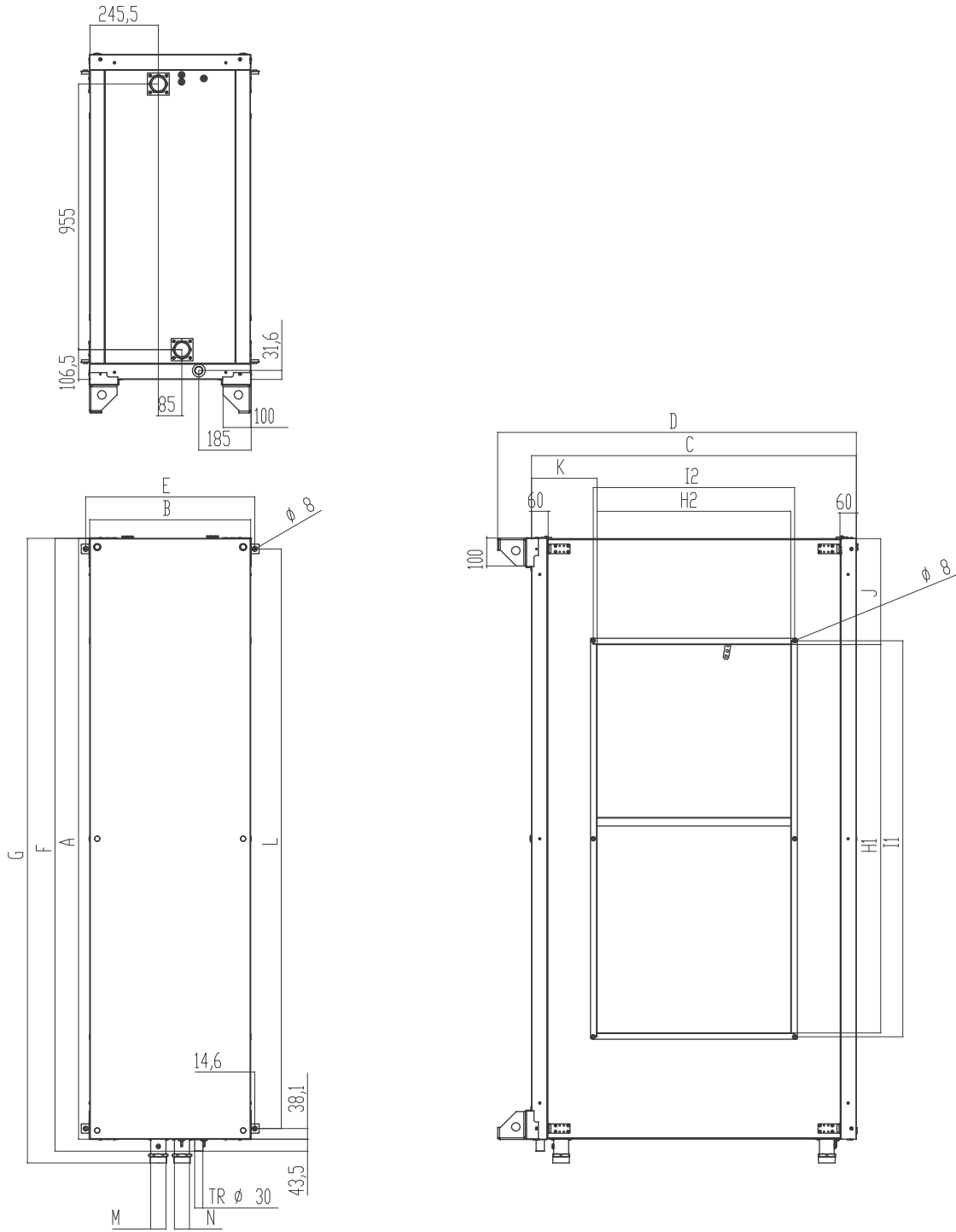
ALFA 85 10K external modules



Type	Dimensions													
	A	B	C	D	E	F	G	H1	H2	I1	I2	J	K	L
HR852-10K	1810	578	993	1114	608	1853,5	1896	1400	700	1424	724	206	148	1734

ALFA 85 10K	M	N
heater/cooler (C/O)	G 1 1/2"	G 1 1/2"
direct evaporator (DX)	22	16

ALFA 85 14K external modules



Type	Dimensions													
	A	B	C	D	E	F	G	H1	H2	I1	I2	J	K	L
HR852-14K	2160	578	1168	1289	608	2203	2245	1400	700	1424	724	380	235	2084

ALFA 85 14K	M	N
heater/cooler (C/O)	G 2"	G 2"
direct evaporator (DX)	22	22